

## LED OBSTACLE LIGHT SPECIFICATION

### Medium Intensity, ICAO Type C, B/FAA L-864, L-885 Obstacle Light, 24VDC Operating Voltage

#### Key Features

- Based on LED technology
- 2000cd steady burning red light
- 2000cd flashing with CSW flash controller unit
- Extremely reliable
- Very long life span
- Low power consumption
- 24 V DC nominal operating voltage
- Stabilised light output
- Easy to install
- No RF radiations
- Five (5) year warranty

#### Benefits

- Long maintenance intervals
- Low energy costs
- Supply voltage variations do not effect light output
- Low wind load
- Very low lifetime costs

#### Specifications Met

- ICAO International standards and Recommend Praticies Aerodromes - Annex 14 Vol 1, 3rd Edition, July 1999, Chap 6: Low intensity, Type C Fixed Obstacle Light. FAA Advisory Circular 150/5345-L-864 and L-885 Light Unit

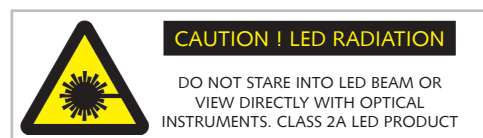
#### Optical Characteristics

- Intensity better than 2000cd
- Colour aviation red
- Horizontal radiation pattern 360°
- Vertical radiation pattern 3°
- Current for the LEDs is stabilised by a CCG
- 10 year continuous operating time
- Light output degradation less than 30% after 100,000 hours of operation



#### Options

- CSW-24-X-F: Flash Controller
- CSW-24-X-F-GPS: Flash Controller with global flash sync by GPS-UTC time
- 90-230 V AC 1N/48VDC power supply
- 300-400 V AC 3N/48 V DC power supply
- Battery back up system
- Solar operated power supply systems
- Mounting kits



## LED OBSTACLE LIGHT SPECIFICATION

### Electrical Characteristics

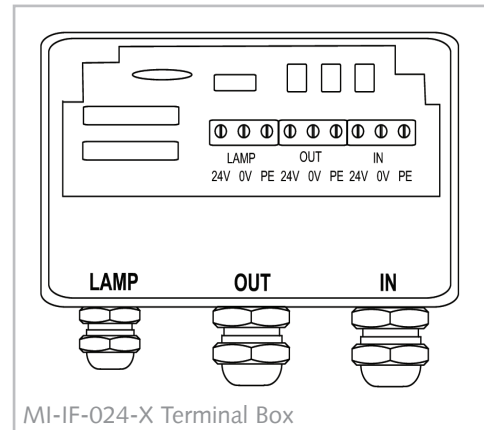
- LED's in separate groups
- Nominal operating voltages 24 V DC
- Power consumption less than 40W
- Constant current <1.8 A @ 24 V DC
- Operating voltage range 21 to 28 V DC
- Three stage over - voltage protection

### Mechanical Characteristics

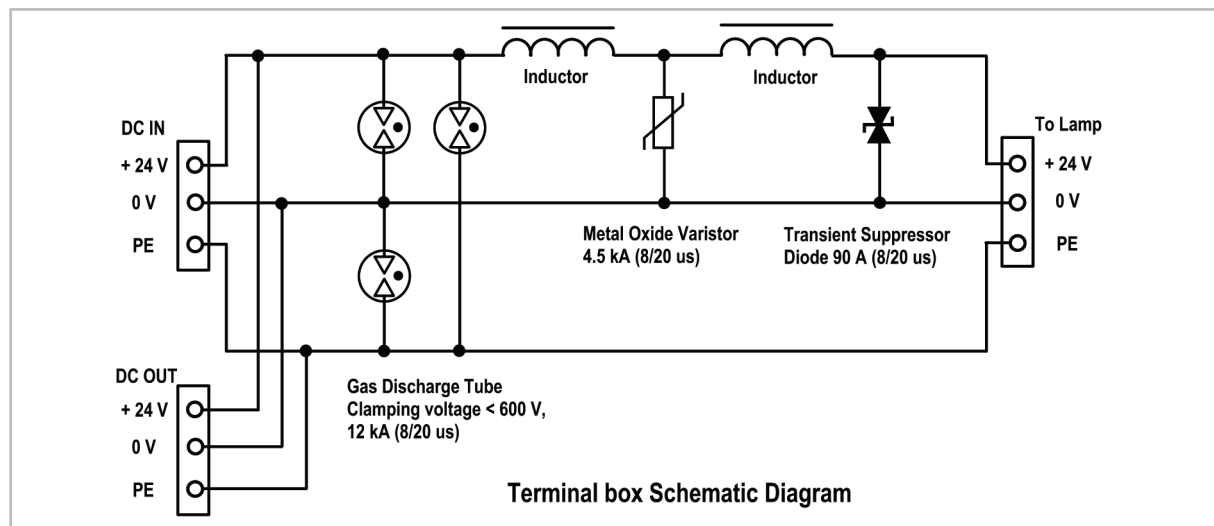
- Anodised, aluminium body
- Glass cover
- Terminal box for 1,5 - 6mm<sup>2</sup> wires
- Degree of protection IP 67
- Operating temperature range -55° to +55°C
- Height 300mm, diameter 200mm
- Mounting set for 35 to 100mm pipes and terminal box included
- Light unit weight 6Kg - Mounting set weight 4Kg
- Wind load with mounting kit @ 200 km/h less than 500 N

### Installation Specifications

- Cable gland: M25
- Cable diameter: 11 to 17mm
- Wire diameter: max 6mm<sup>2</sup>
- Recommended cable: 2 x 1.5+1.5 or 2 x2.5mm<sup>2</sup>

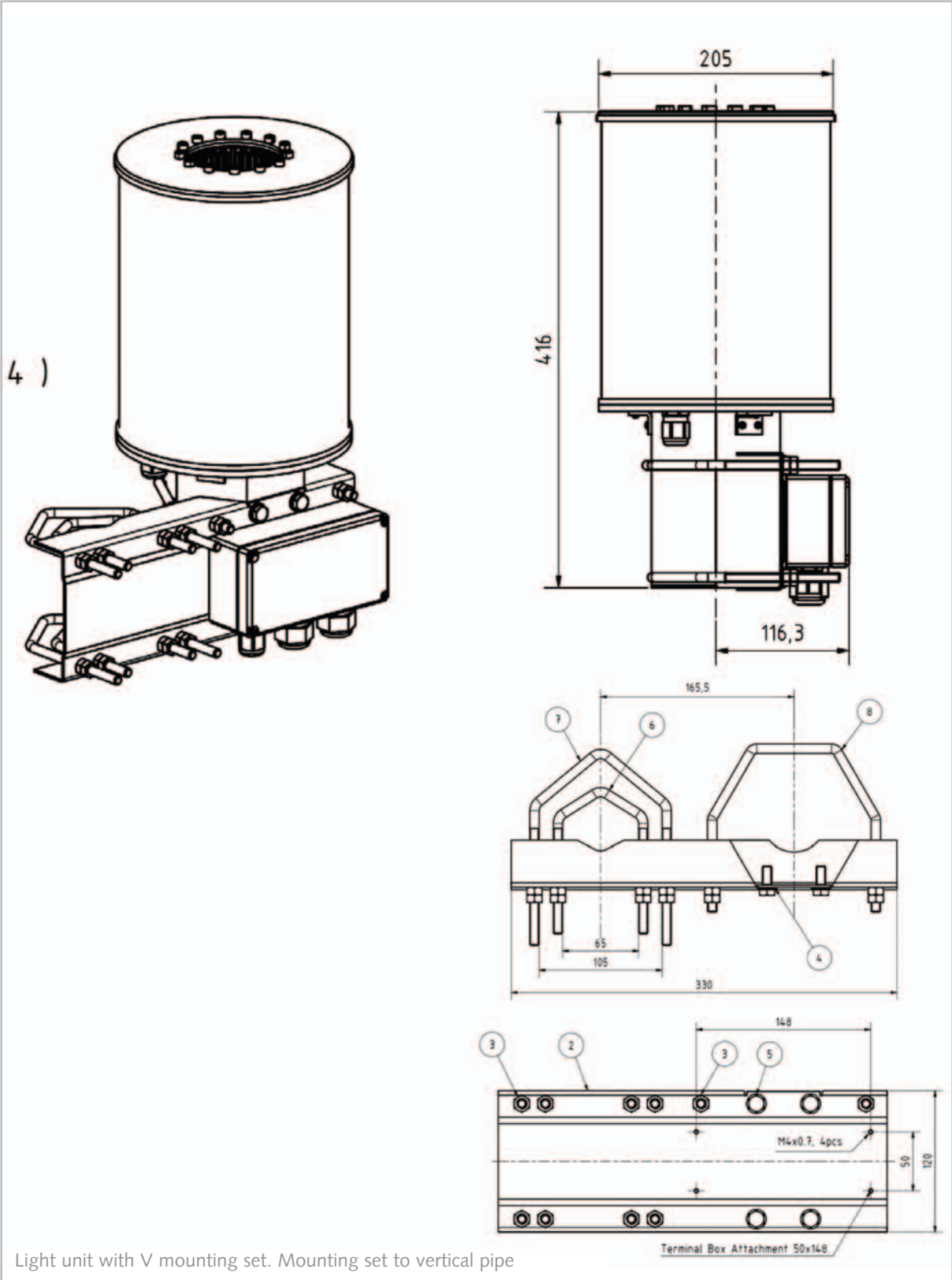


- MI-IF-024 is an Obstacle light utilising LED technology. The cabling and installation principles are similar to those of conventional obstacle lights, the only exception being the correct polarity required by DC feed.
- The polarity is Blue - / Black + / Yellow-Green PE
- All connection alternatives can be protected with a 6A or 10A fuse or with a circuit breaker (C curve)

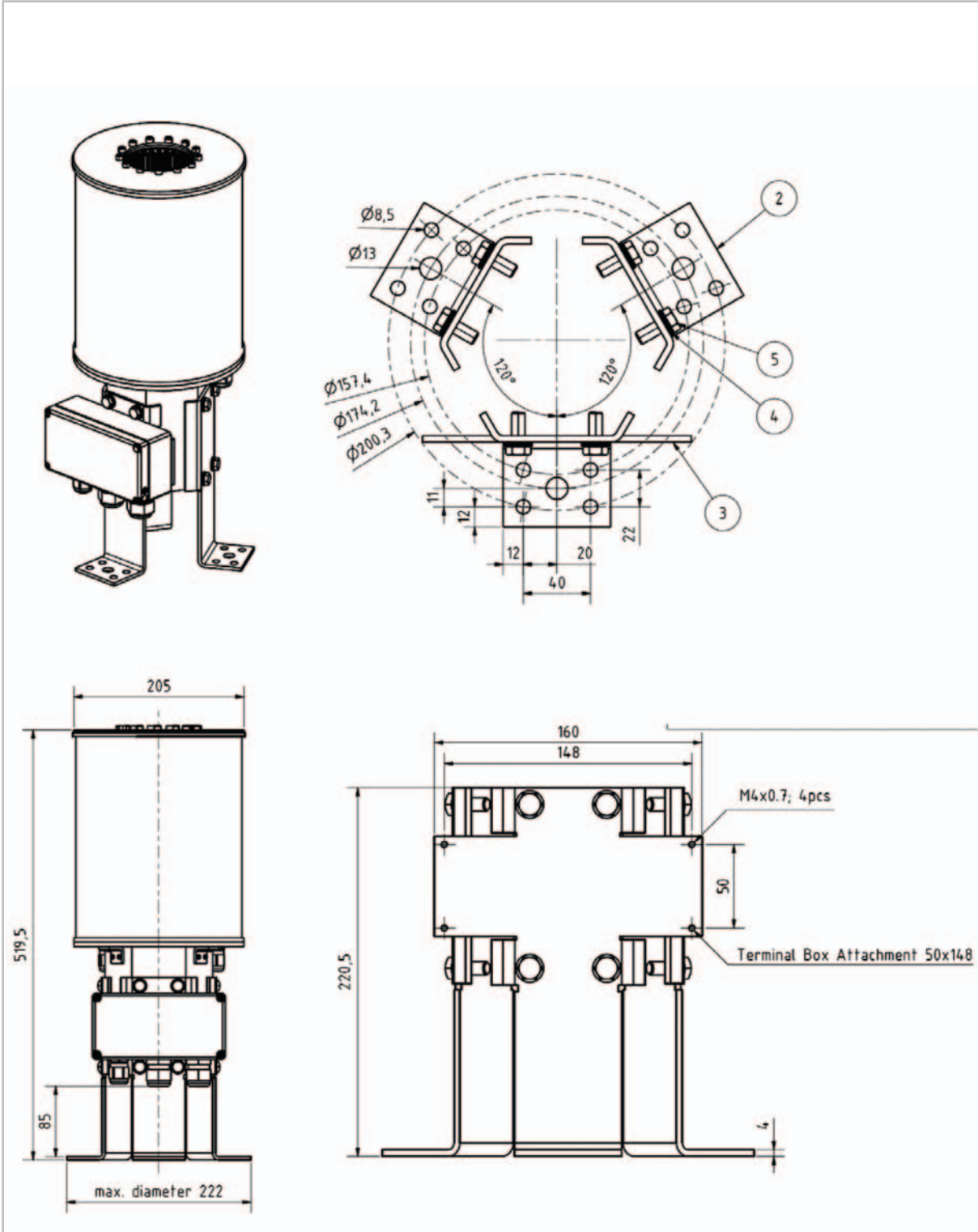




**LED OBSTACLE LIGHT SPECIFICATION**



**LED OBSTACLE LIGHT SPECIFICATION**



Light unit with H mounting set. Mounting to horizontal plate by L shape brackets