

LED OBSTACLE LIGHT SPECIFICATION

48Vdc 50cd Obstacle Light

Key Features

- Based on LED technology
- 50cd Luminous output
- Steady burning red light
- Complete with set of accessories
- Extremely reliable
- Very long life span
- Low power consumption
- 48 VDC operating voltage
- Stabilised light output
- Easy to install
- Mounting set and terminal box included

Benefits

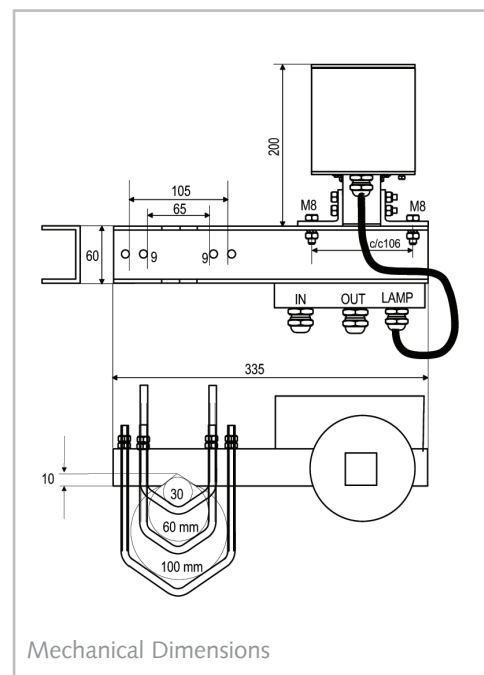
- Long maintenance intervals
- Low energy costs
- Input voltage variations do not effect light output
- Very low lifetime costs

Optical Characteristics

- Intensity > 50cd
- Colour aviation red
- Horizontal radiation pattern 360°
- Vertical radiation pattern 23°
- Current for the LEDs is stabilised by a CCG
- Light output degradation less than 30% after 100,000 hours of operation

Electrical Characteristics

- LEDs are in several separate groups
- Nominal operating voltage 48VDC
- Power consumption < 10W (< 0.25A constant current)
- Operating voltage range 48 to 58 VDC
- Overvoltage protection



Order Code: 50-48-CST

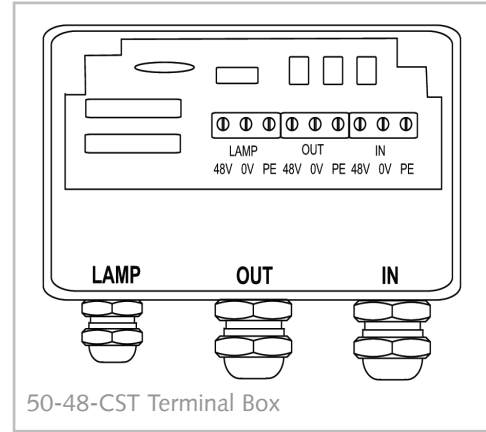
LED OBSTACLE LIGHT SPECIFICATION

Other


- Black anodised aluminium light body unit
- Galvanised mounting arm
- Acid proof U-bolts and hex nuts
- Uncoloured glass cover
- Degree of protection IP65
- Operating temperature range -55 to +55°C
- Height 300mm, diameter 140mm
- Wind load @ 200 km/h < 150N
- Total weight 3.0kg
- Five (5) year warranty
- The polarity is Blue - / Black + / Yellow-Green PE
- All connection alternatives can be protected with a 6A or 10A fuse or with a circuit breaker (C curve)

Installation Specifications

- Cable gland for lamp : M20, 8-13mm cable
- Cable gland for IN and OUT: M25, 11-17mm cable
- Wire diameter: Max 6mm²
- Recommended cable: 2 x 1.5+1.5 or 2 x 2.5 + 2.5mm²




50-24-CST is an Obstacle light utilising LED technology. The cabling and installation principles are similar to those of conventional obstacle lights, the only exception being the correct polarity required by DC feed.



CAUTION ! LED RADIATION

DO NOT STARE INTO LED BEAM OR VIEW DIRECTLY WITH OPTICAL INSTRUMENTS. CLASS 2A LED PRODUCT



OPERATING VOLTAGE

48 V_{DC}

