

OL2000

LED INDUSTRIAL AND OBSTRUCTION LIGHT

THE OL2000 IS AN INDUSTRIAL GRADE, HIGH-POWER LED LIGHT THAT MEETS ICAO TYPE C MEDIUM INTENSITY OBSTRUCTION LIGHTING STANDARDS (ICAO ANNEX 14, FIFTH EDITION, JULY 2009 (RED)). THIS SELF-CONTAINED LIGHT IS IDEAL FOR FIXED INSTALLATIONS.

- **Durable design:** rugged aluminum housing withstands installation in extreme environments.
- **Flexible and user-friendly:** Adjustable intensity and range. Programmed with a wireless Easy Programmer, PDA Programmer or with USB/IR interface
- **Low power consumption:** Suitable for solar and battery consumption
- **Integrated Black Box function:** 365 day event log
- **Optional GPS synchronization**
- **Optional GSM remote monitoring**
- **Infrared communications port**
- **Photocell for automated dusk-to-dawn activation**
- **Stainless steel bird deterrents are standard equipment**

STAND-ALONE CAPABILITY, LOW MAINTENANCE DESIGN AND EASY INSTALLATION MAKES THE OL2000 AN OPTIMAL SOLUTION FOR TOWER AND OBSTACLE LIGHTING.



PDA Programmer:
Wireless two-way communication using a Windows based PDA programmer.

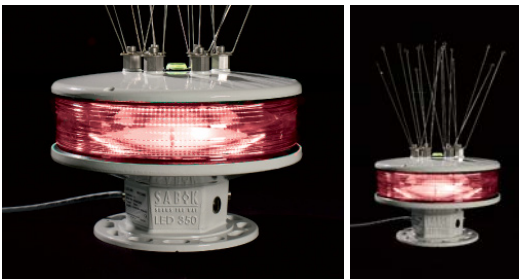


Easy Programmer:
User friendly and compact wireless two-way programmer.

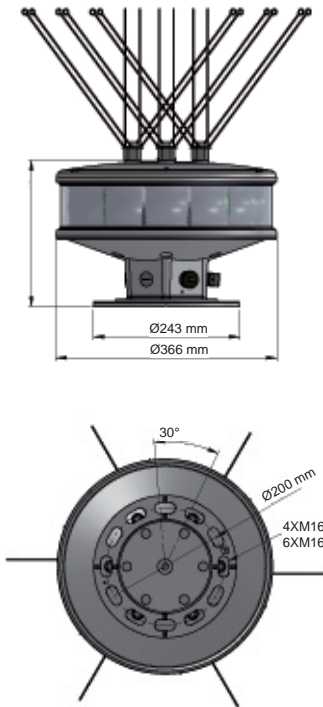
MODEL

OL2000

LED INDUSTRIAL AND OBSTRUCTION LIGHT



DIMENSIONS



TECHNICAL FEATURES AND SPECIFICATIONS

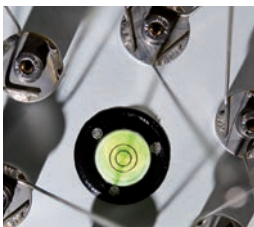
Supply Voltage	20-30 VDC
Lens Material	UV Stabilized Polycarbonate
Light Source	High power Light Emitting Diode (LED)
Intensity	2000 cd intensity, steady-on in Red
Wattage	58 watts
Unit Lifetime	Up to 10 Years
Solar Panel Charger	16 Ampere PWM charger. Solar panel production (Ah) is logged
Temperature Range	-40 to 140°F (-40 to +60 °C)
Degree of Protection	IP 67
Weight	22 lb (10 kg)

OPTIONS

GSM	Integrated GSM based monitoring with GSM antenna
GSM + GPS	Integrated GSM based monitoring with GSM/GPS antenna
GPS Sync	Integrated GPS sync (only available on units with GPS antenna)
Optical Feedback System	Integrated LED performance measurement

CONFIGURATION

MODEL	OUTPUT ▼	SWITCH ▼	CONTROL ▼
OL2000	RED	NON-SWITCHED	NON- WIRELESS GSM GPS GSM



Level Indicator:
Level in field using the integrated bubble level indicator.



IR port and photocell:
Combined infrared communication port and photocell.



Performance:
Specially designed lens allows for exceptional output performance.



Additional cable entry:
Equipped as standard with two cable entries.



Grounding plug:
Baseplate grounding against electromagnetic interference.

Specifications may be subject to change

Carmanah is a Canadian public corporation - TSX:CMH
© 2014, Carmanah Technologies Corp.
Document: OL2000_SpecSheet_RevC

US Patent No 6,573,659. Other patents pending. "Carmanah" and Carmanah logo are trademarks of Carmanah Technologies Corp.

Carmanah Technologies Corp. • Web: carmanah.com • Telephone: 1.250.380.0052 • Fax: 1.250.380.0062 • Email: info@carmanah.com