

MODEL

OL4

GENERAL-PURPOSE HAZARD MARKER

THE OL4 IS A HIGH-PERFORMANCE LIGHT DESIGNED TO PERFORM RELIABLY AT TOUGH INDUSTRIAL LOCATIONS FROM RAIL YARDS TO CONSTRUCTION ZONES TO MINING OPERATIONS AND MORE. SUITABLE FOR PERMANENT, TEMPORARY OR EMERGENCY INSTALLATIONS.

- **Easy installation and relocation:** lights are immediately operational following a simple installation process. No specialized work crews required.
- **Self-contained and low-maintenance:** all components are safely encased in a durable, rugged enclosure. The OL4 includes a replaceable battery pack that extends the total cost of ownership beyond five years and offers significant cost savings.
- **Intelligent deployment settings:** the OL4 has the unique ability to be tuned to its precise installation location protecting it against improper configuration.
- **Unprecedented reliability:** microprocessor Energy Management System (EMS) monitors and adapts to environmental conditions for consistent operation and long life under the toughest conditions.
- **Designed and tested to the toughest industrial standards:** MIL-STD-202G: Humidity, Immersion, Vibration, Shock; MIL-STD-810G: Solar Radiation, Salt-Fog; EN 60945: ESD, EMI, EMC; IP68; L70. The OL4 is acceptable for barricade and construction applications at Commercial Part 139 Airports under FAA Advisory Circular AC 150/5370-2E. The OL4 Blue is compliant with the requirements of ICAO Annex 14, Volume 1, Fourth Edition dated July 2004.
- **User-friendly design:** on-board user interface, optional infrared remote and USB device manager software offer easy configuration and programming.
- **Green solution:** recyclable batteries and an RoHS compliant design combined with natural solar charging ensure the lightest environmental footprint.

LIGHTWEIGHT AND SELF-CONTAINED WITH SOPHISTICATED SOLAR ENERGY MANAGEMENT - THE OL4 IS UNRIVALLED BY ANY OTHER HAZARD MARKING OR BARRICADE LIGHT CURRENTLY AVAILABLE.

- Dusk to dawn operation
- Intuitive on-board user interface
- Intelligent deployment settings for reliable performance in a wide-range of locations
- Proven technology platform



SPECIFICATIONS

| | |
|-------------------------------|--|
| Solar Panel | High-efficiency cells with bypass and blocking diode function. Maximum power point tracking (MPPT) for optimal energy collection |
| Battery | Tool-less replaceable and recyclable best-in-class battery pack with extreme temperature range. Battery status feedback of Good, Charge or Bad (Replace) |
| Light Source | High power LED, colour-specific temperature corrected LED drivers provide consistent intensity under all operating conditions |
| Intensity | 4 cd peak (red), steady-on (see photometric plot on reverse). 18 cd peak intensity, flashing, 12.5% duty cycle (Red LEDs) |
| Flash Patterns | 256+ |
| Construction | Premium grade UV resistant, polycarbonate/ polysiloxane co-polymer body and lens material. Double O-ring sealing with waterproof vent |
| Colours | Red, blue, yellow, green, white ICAO and SAE25050 (FAA) compliant chromaticity |
| Colour Indicator | Yes, FAA Eng. Brief 67 compliant |
| Temperature | -45 to 124 °F (-43 to 51 °C) operating -45 to 176 °F (-43 to 80 °C) storage |
| Weight | 3.5 lbs (1.58 kg) |
| Wind Loading | 400 mph (180 m/s) |
| Automatic Light Control (ALC) | When enabled, ALC will dynamically reduce brightness in response to unusually low amounts of sunlight to ensure continued operation. |





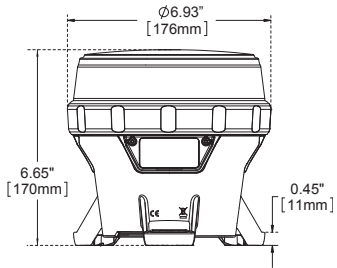
MODEL

OL4

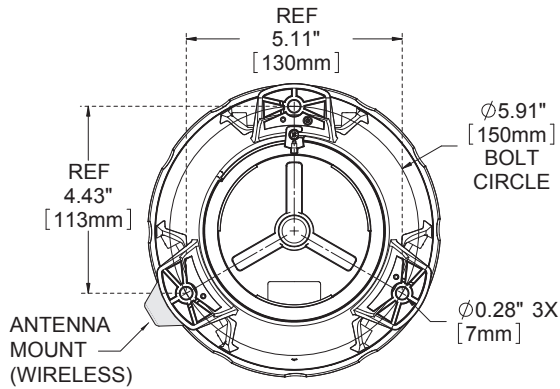
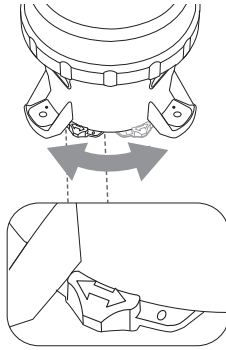
GENERAL-PURPOSE HAZARD MARKER

TECHNICAL DRAWINGS AND DIMENSIONS

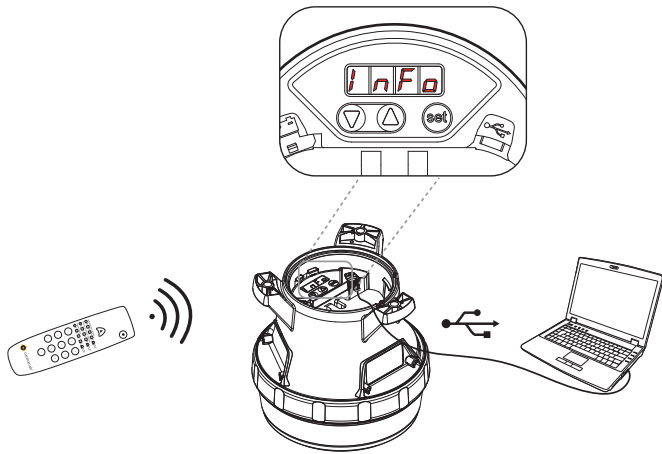
SIDE VIEW



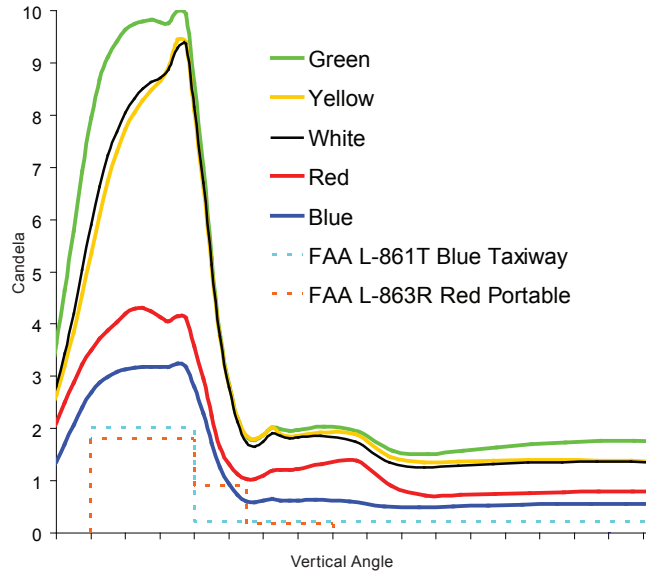
SWITCHED VIEW



ANTENNA MOUNT (WIRELESS)



PHOTOMETRICS



ORDER OPTIONS

| MODEL ▼ | OUTPUT ▼ | SWITCH ▼ | CONTROL ▼ |
|---------|---|--------------------------|-------------|
| OL4 | RED BLUE GREEN WHITE YELLOW | SWITCHED NON-SWITCHED | NONE GPS |

ACCESSORY ORDERING CODES

| | |
|---|---|
| Additional Bird Deterrent (1 ships with each light) | 57003 |
| Bottom Cover Replacement Kit | 57392 (With Switch) 57393 (Without Switch) |
| Battery Replacement Pack | 57383 |
| Battery Charger | 59188 (100 - 240 VAC) |
| USB cable | 57394 |
| Device manager software | 61125 |
| Infrared Programmer | 56818 |

Additional accessories and mounting options available. For a complete list consult our accessories specification sheet.

Specifications may be subject to change
 Carmanah is a Canadian public corporation - TSX:CMH
 © 2014, Carmanah Technologies Corp.
 Document: OBST_OL4_Spec_Sheet_RevD

US Patent No 6,573,659. Other patents pending. "Carmanah" and Carmanah logo are trademarks of Carmanah Technologies Corp.

Carmanah Technologies Corp. • Web: carmanah.com • Telephone: 1.250.380.0052 • Fax: 1.250.380.0062 • Email: info@carmanah.com